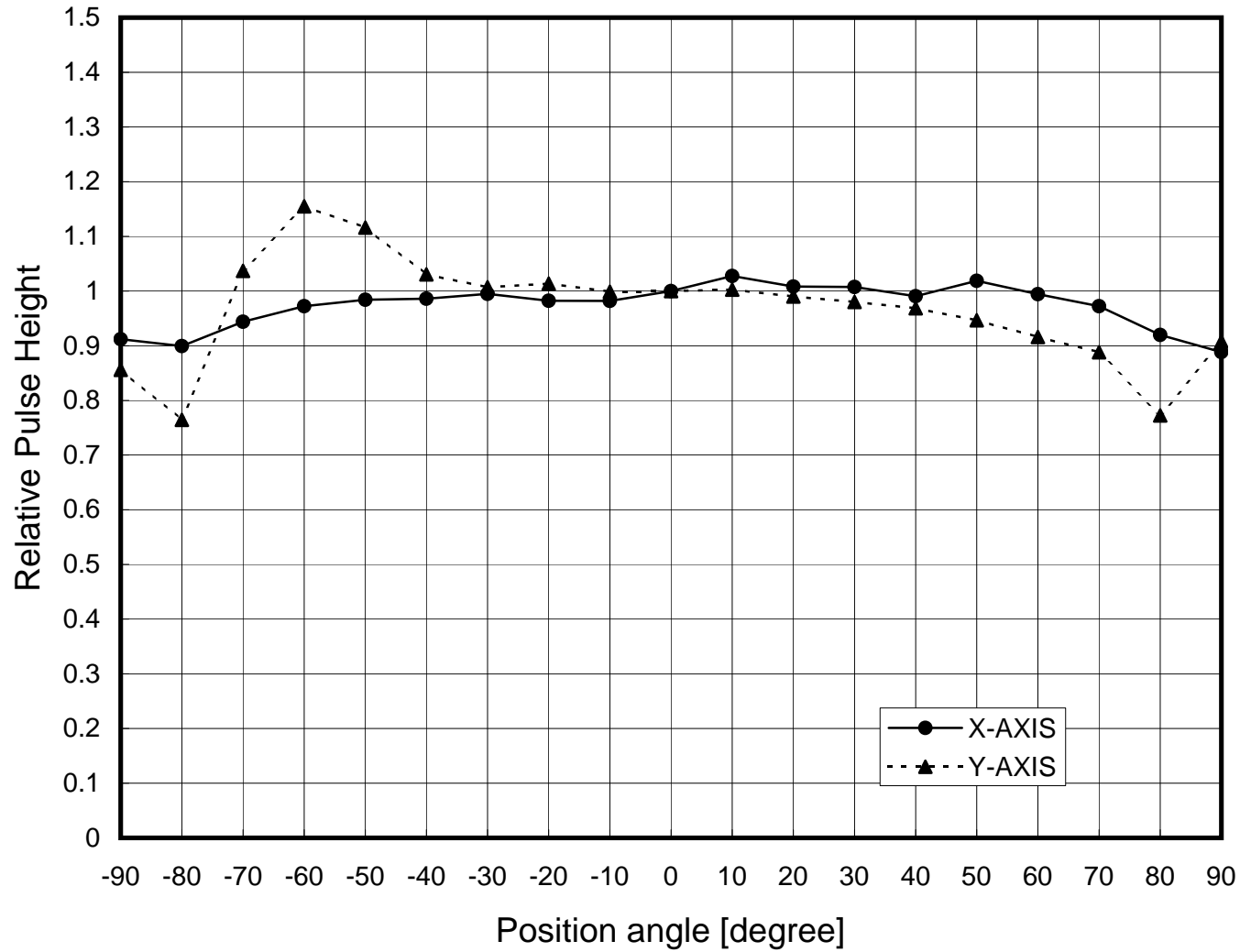
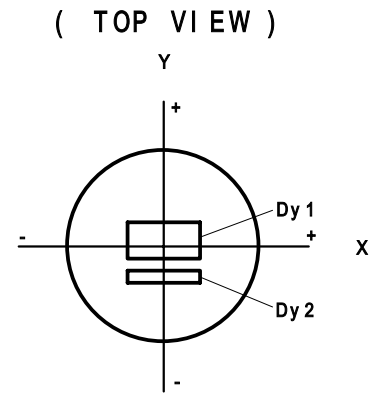


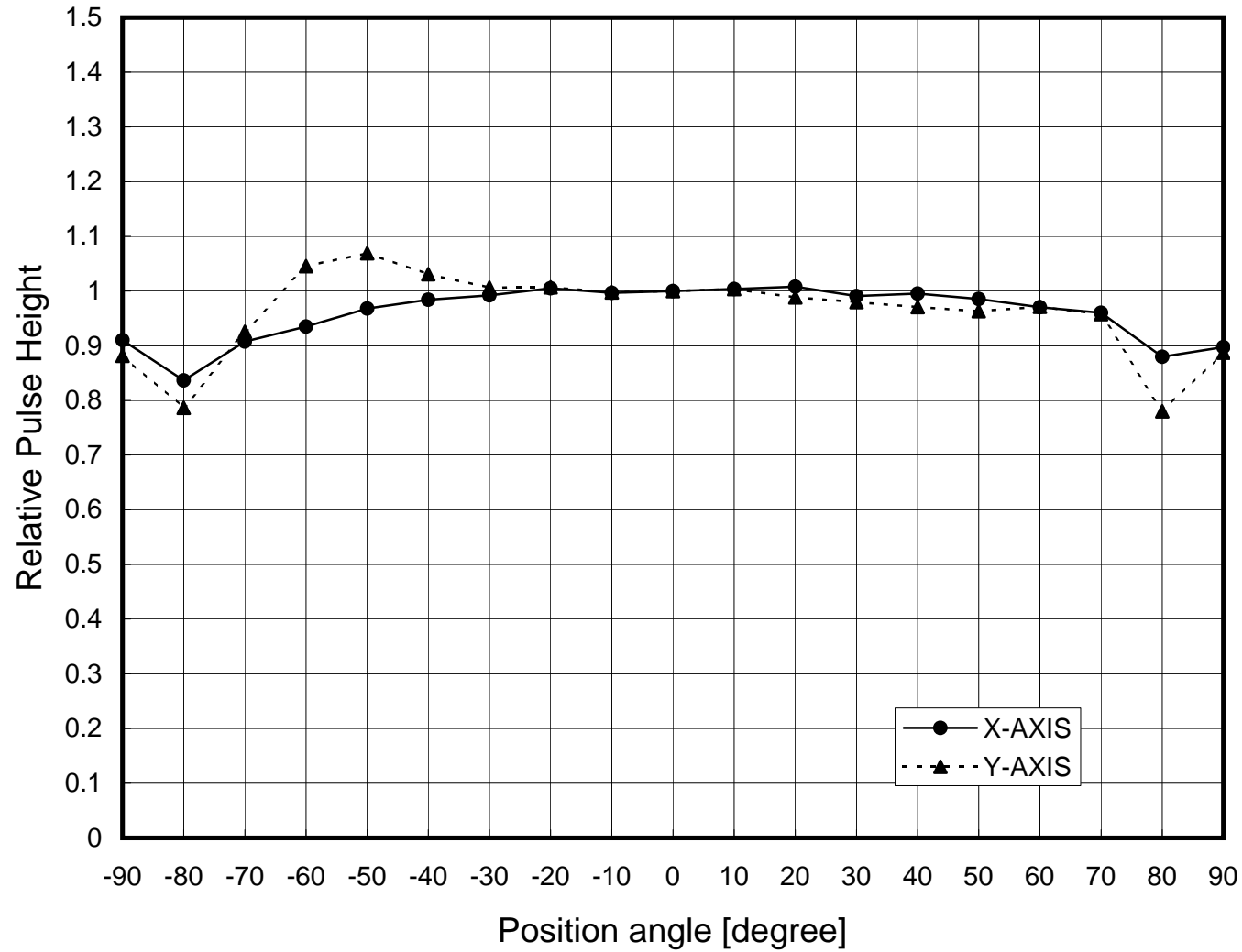
R7081-02 Anode Uniformity (Pulse Height)



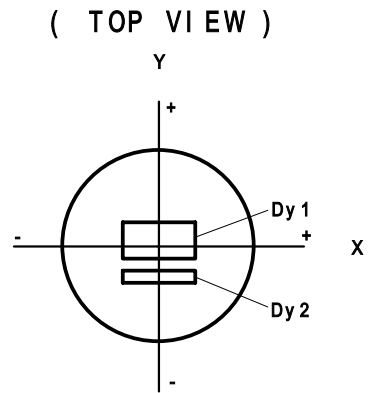
Date : 2005.10.03
 Serial No. : TA1895
 Spot Dia. : 5 [mm]
 Wavelength : 410 [nm]
 Supply Voltage : 1410 [V]



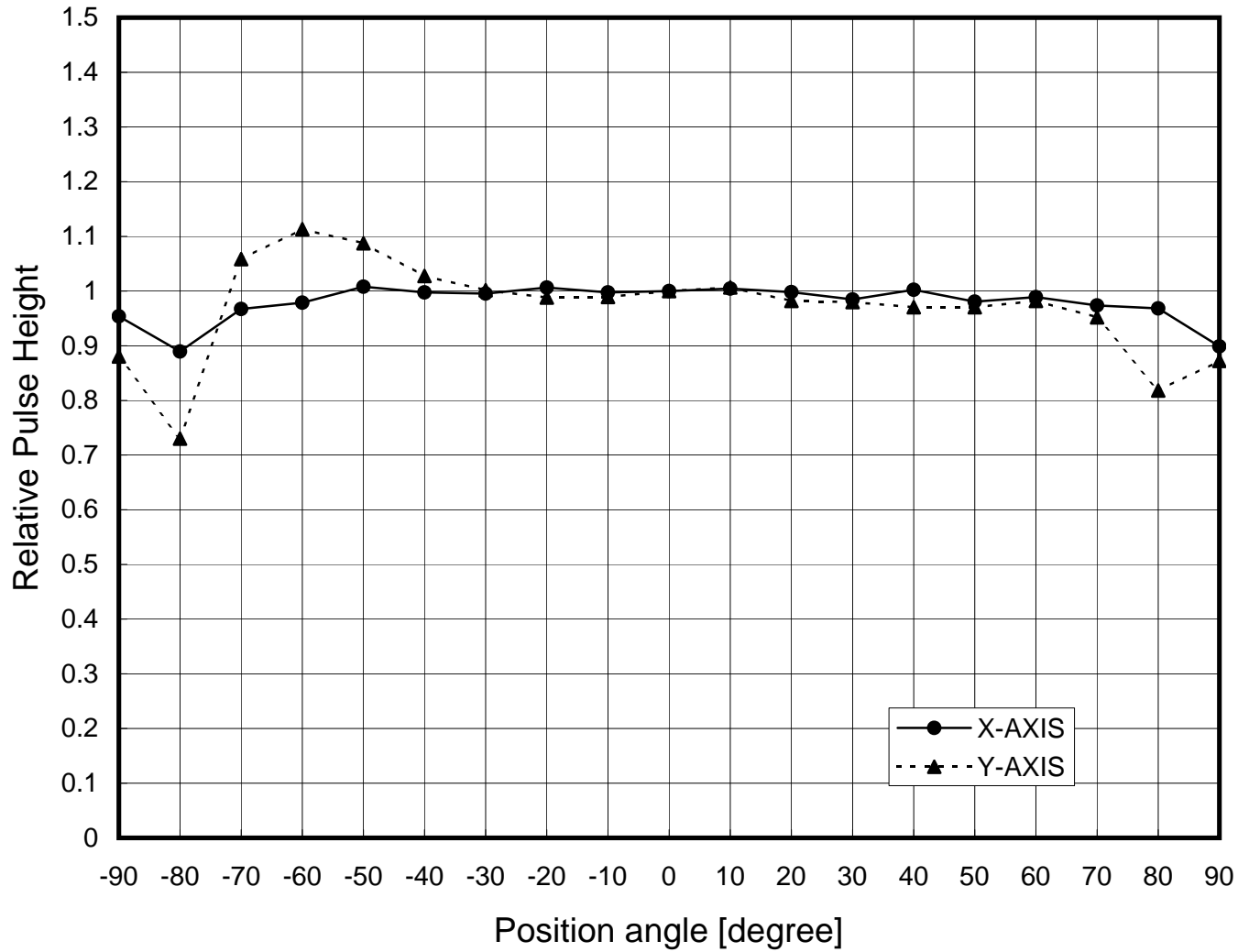
R7081-02 Anode Uniformity (Pulse Height)



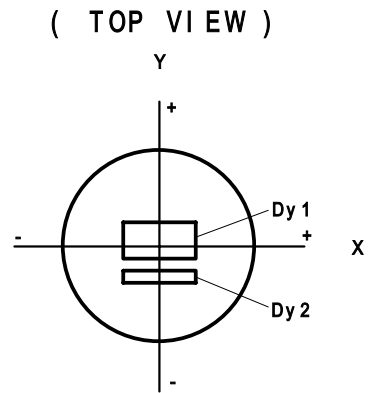
Date : 2005.10.04
Serial No. : TA2026
Spot Dia. : 5 [mm]
Wavelength : 410 [nm]
Supply Voltage : 1370 [V]



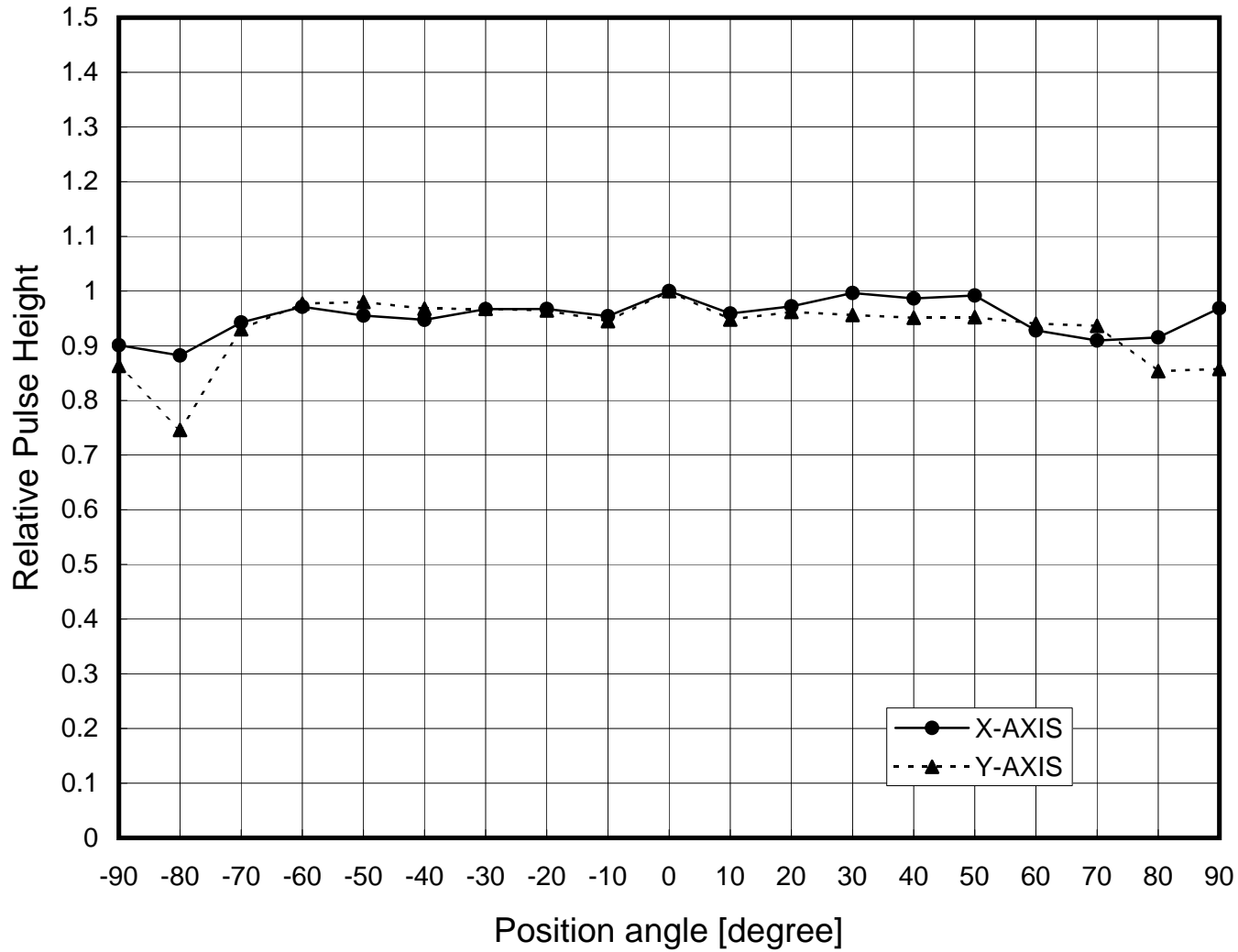
R7081-02 Anode Uniformity (Pulse Height)



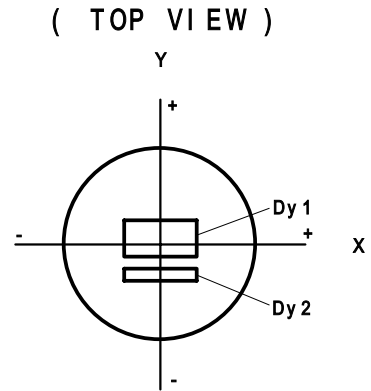
Date : 2005.10.05
Serial No. : TA2086
Spot Dia. : 5 [mm]
Wavelength : 410 [nm]
Supply Voltage : 1390 [V]



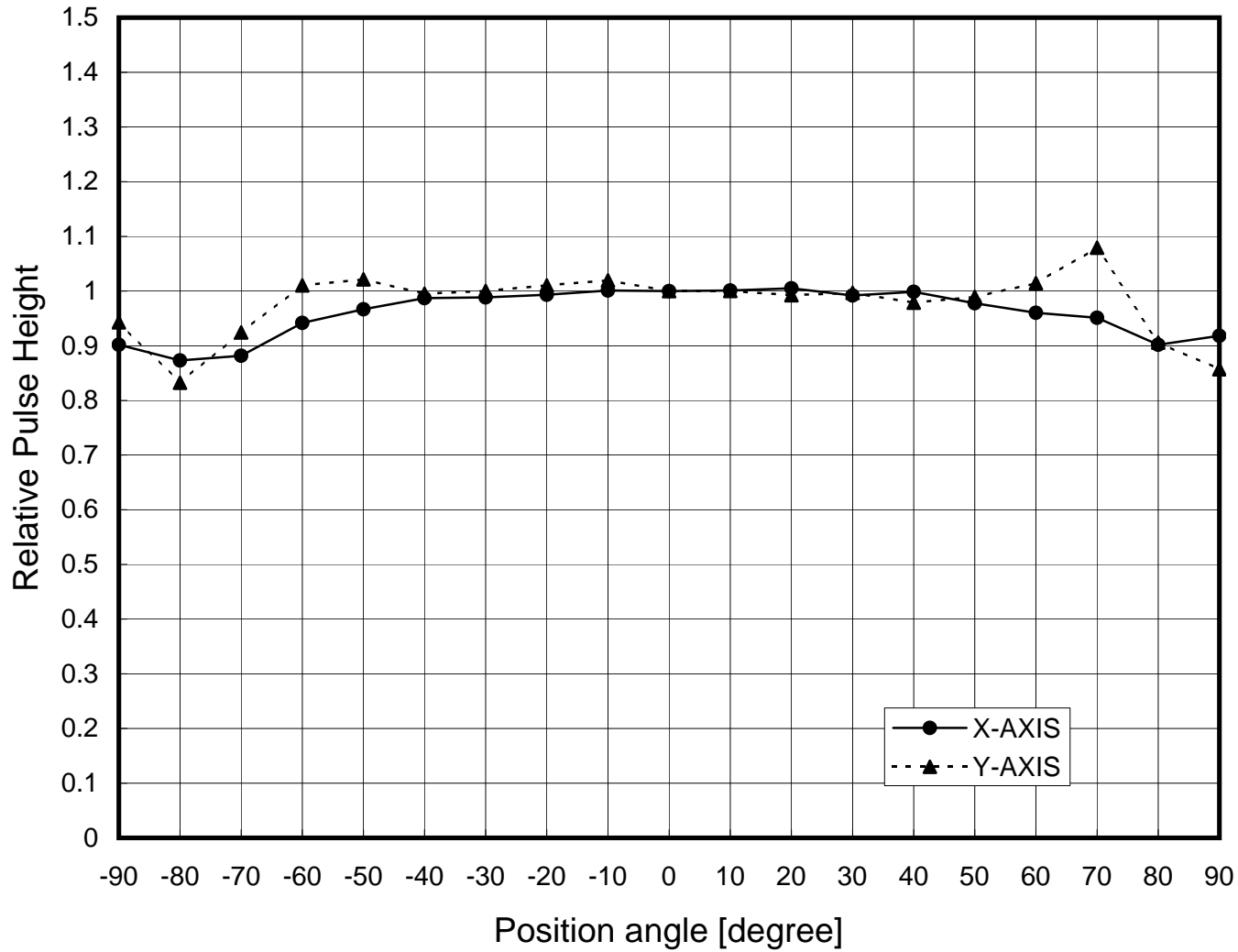
R7081-02 Anode Uniformity (Pulse Height)



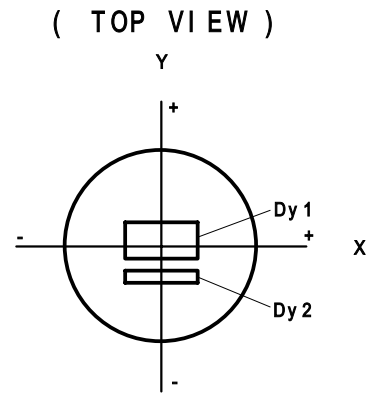
Date : 2005.10.06
Serial No. : TA2146
Spot Dia. : 5 [mm]
Wavelength : 410 [nm]
Supply Voltage : 1330 [V]



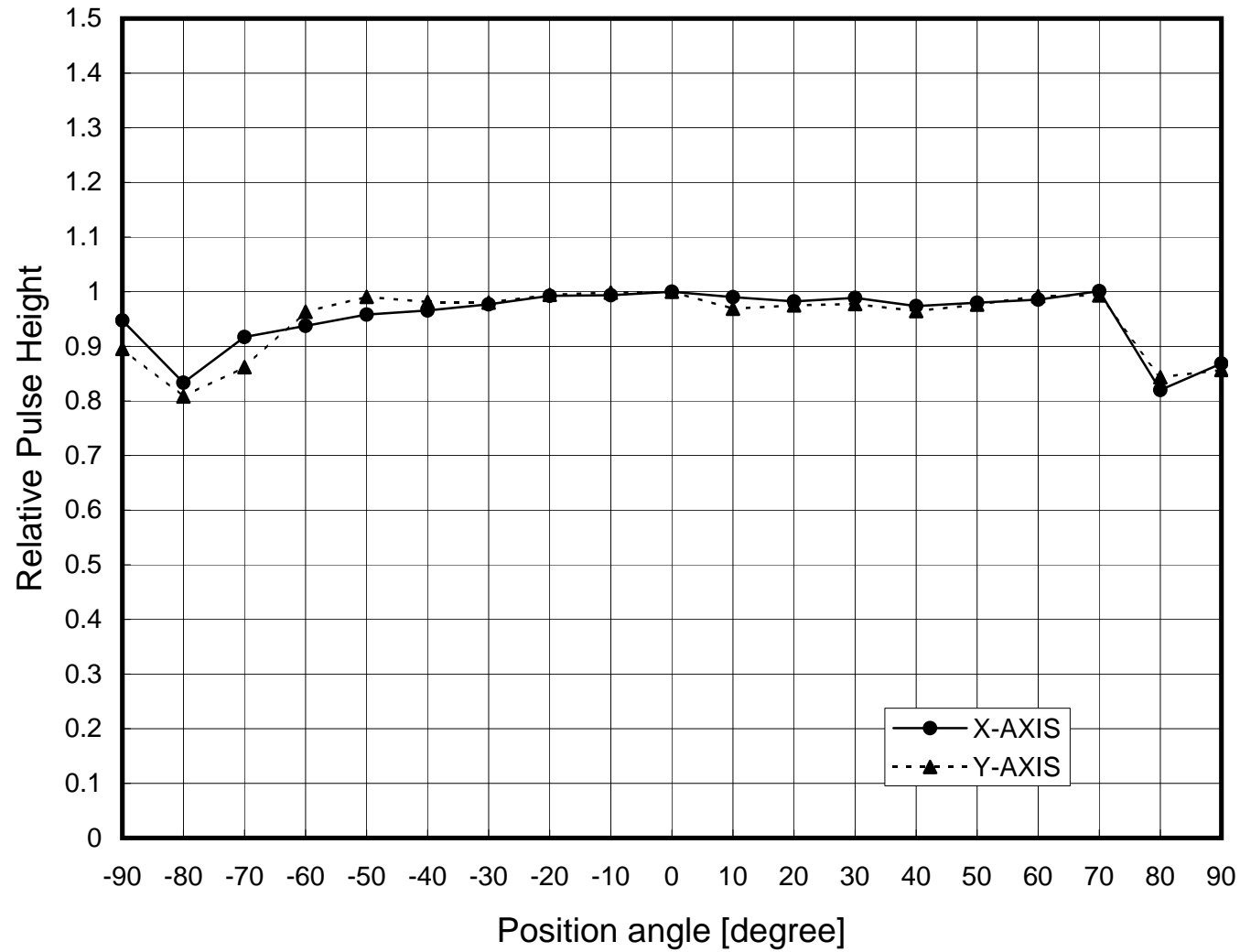
R7081-02 Anode Uniformity (Pulse Height)



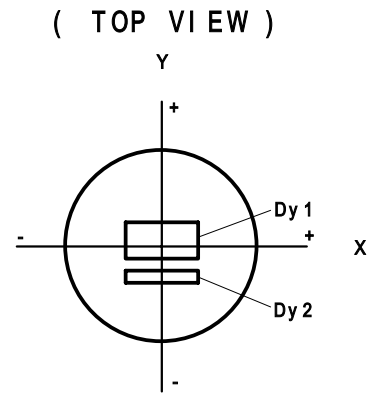
Date : 2005.10.11
Serial No. : TA2182
Spot Dia. : 5 [mm]
Wavelength : 410 [nm]
Supply Voltage : 1360 [V]



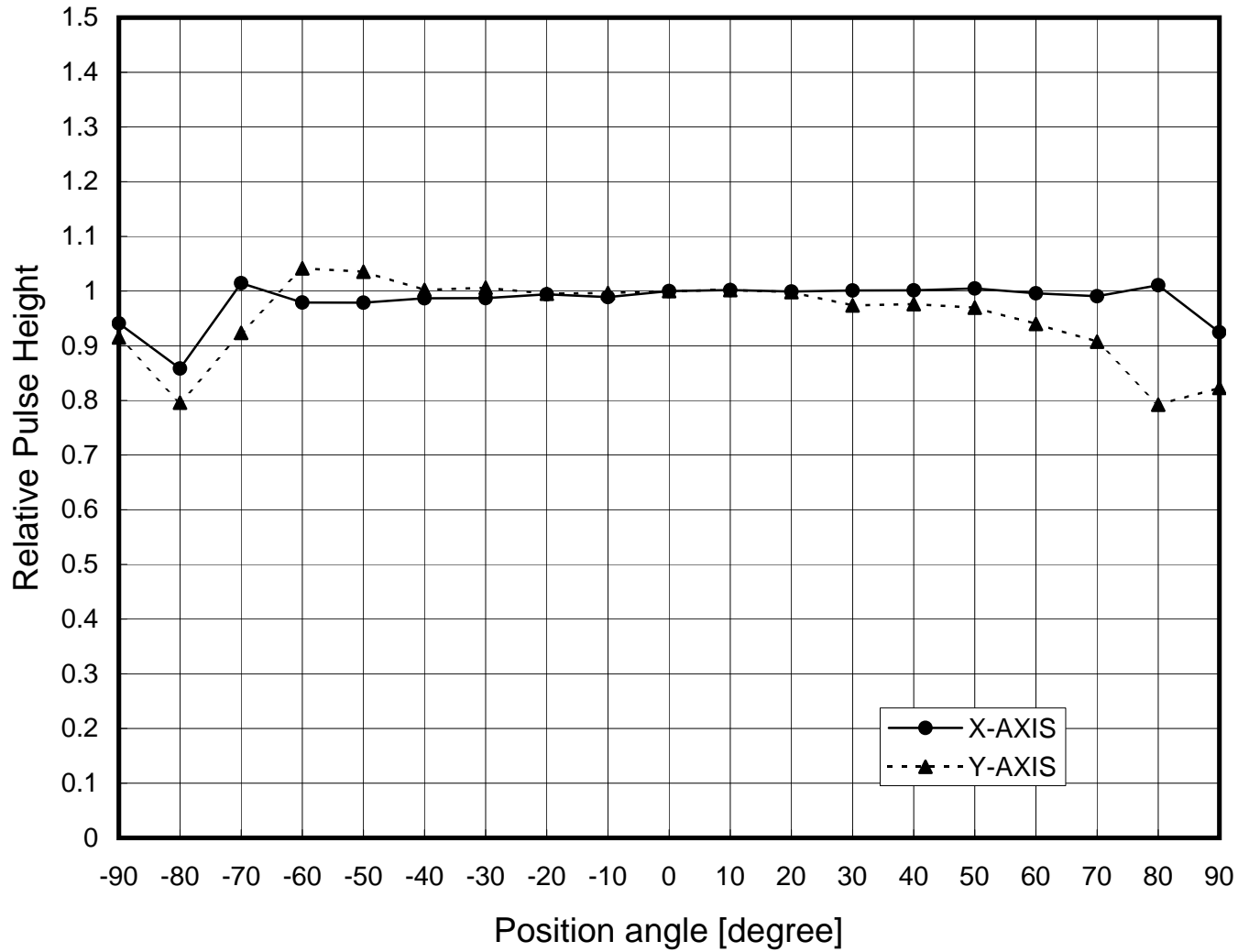
R7081-02 Anode Uniformity (Pulse Height)



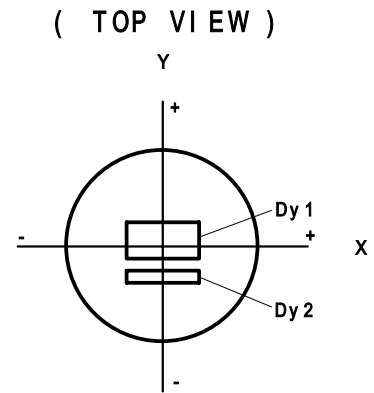
Date : 2005.10.12
 Serial No. : TA2259
 Spot Dia. : 5 [mm]
 Wavelength : 410 [nm]
 Supply Voltage : 1310 [V]



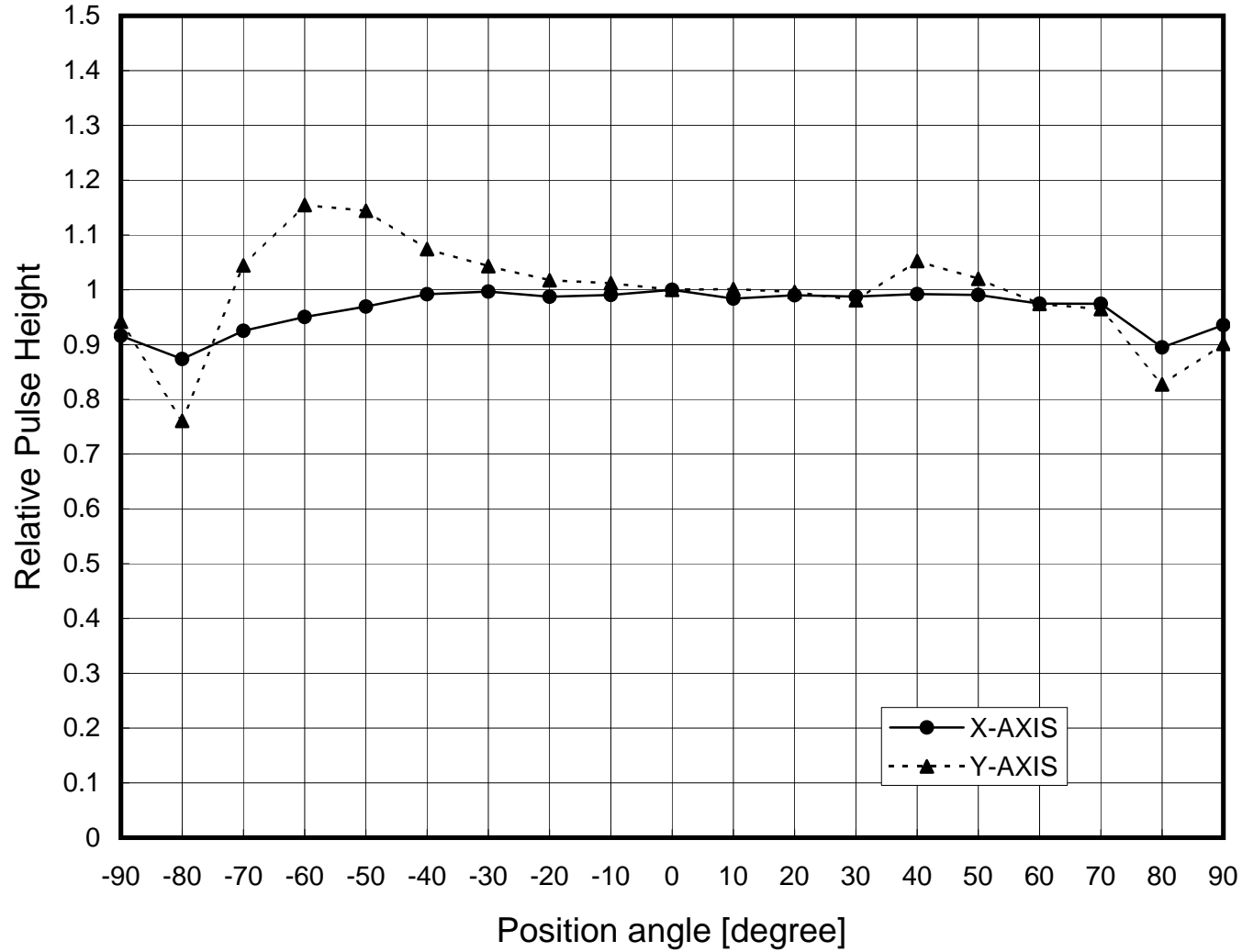
R7081-02 Anode Uniformity (Pulse Height)



Date : 2005.10.13
Serial No. : TA2349
Spot Dia. : 5 [mm]
Wavelength : 410 [nm]
Supply Voltage : 1440 [V]



R7081-02 Anode Uniformity (Pulse Height)



Date : 2005.10.14
Serial No. : TA2374
Spot Dia. : 5 [mm]
Wavelength : 410 [nm]
Supply Voltage : 1400 [V]

