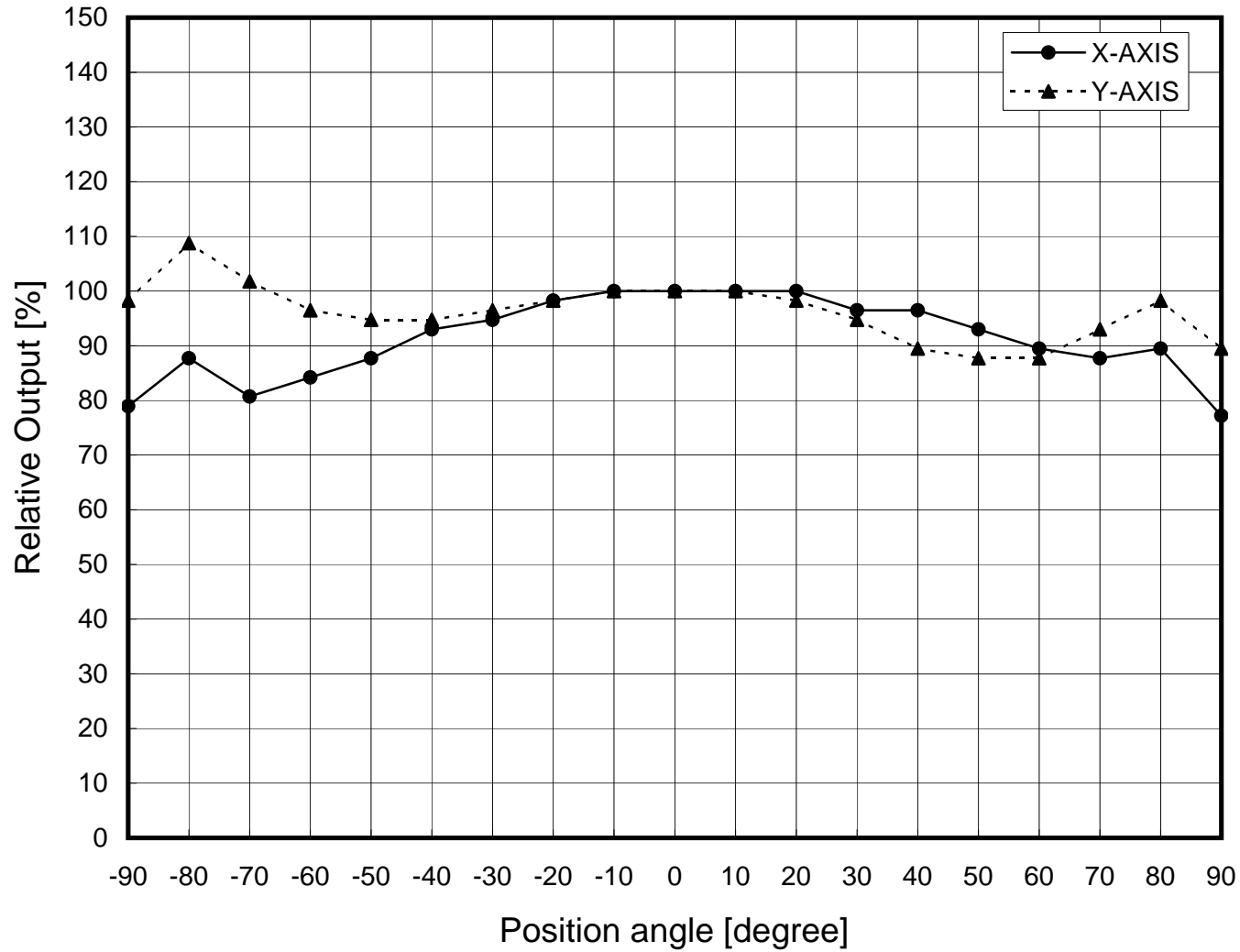
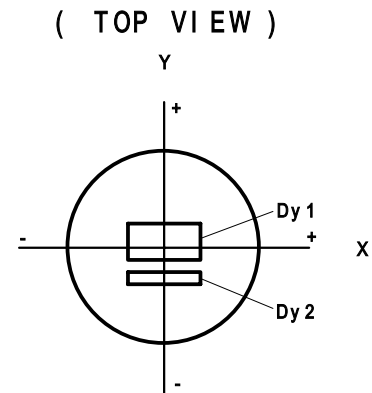


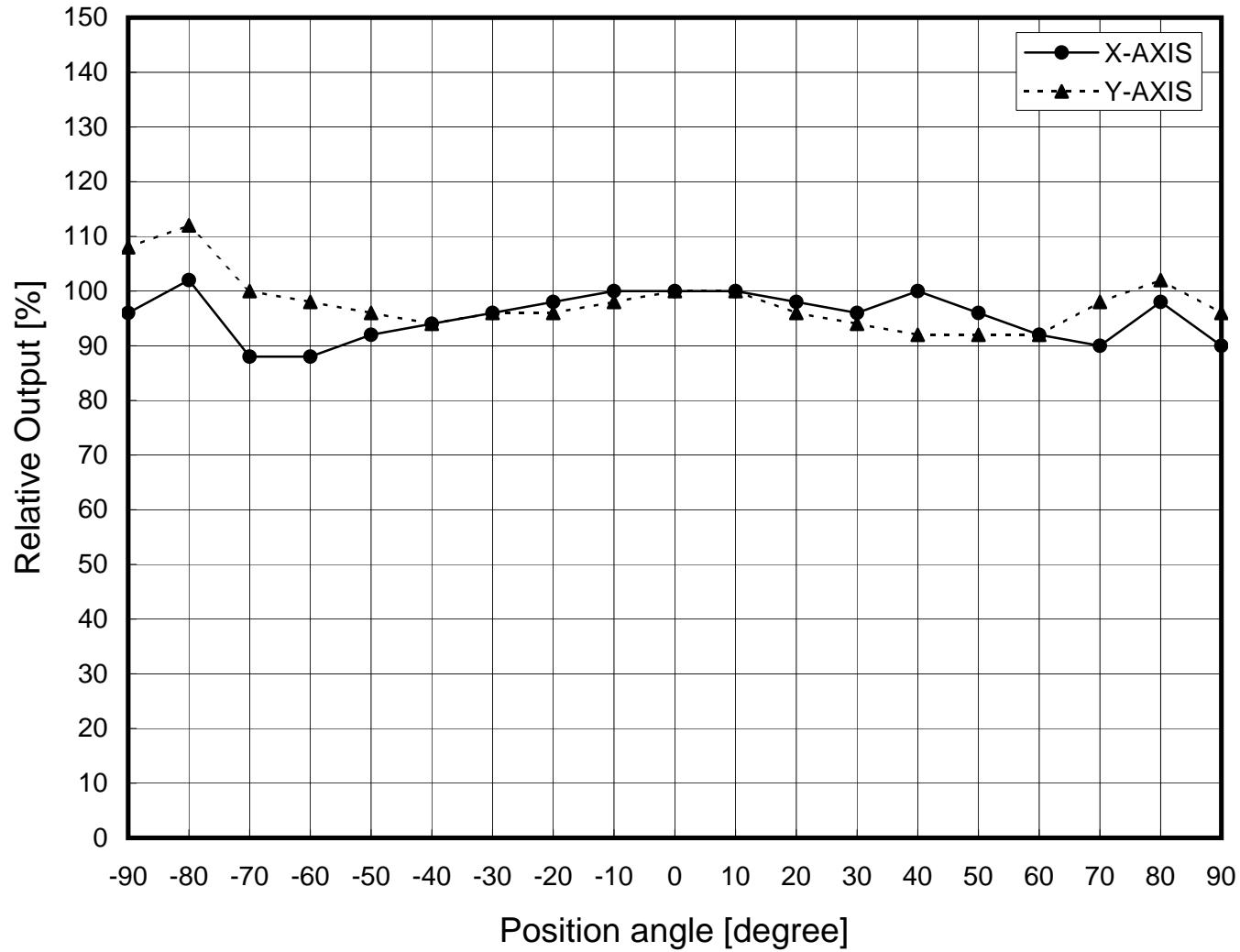
R7081-02 Cathode Uniformity



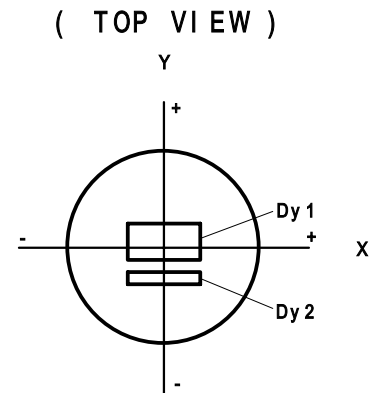
Date : 2005.10.17
Serial No. : TA1895
Spot Dia. : 5 [mm]
Wavelength : 410 [nm]
Supply Voltage : 150 [V]



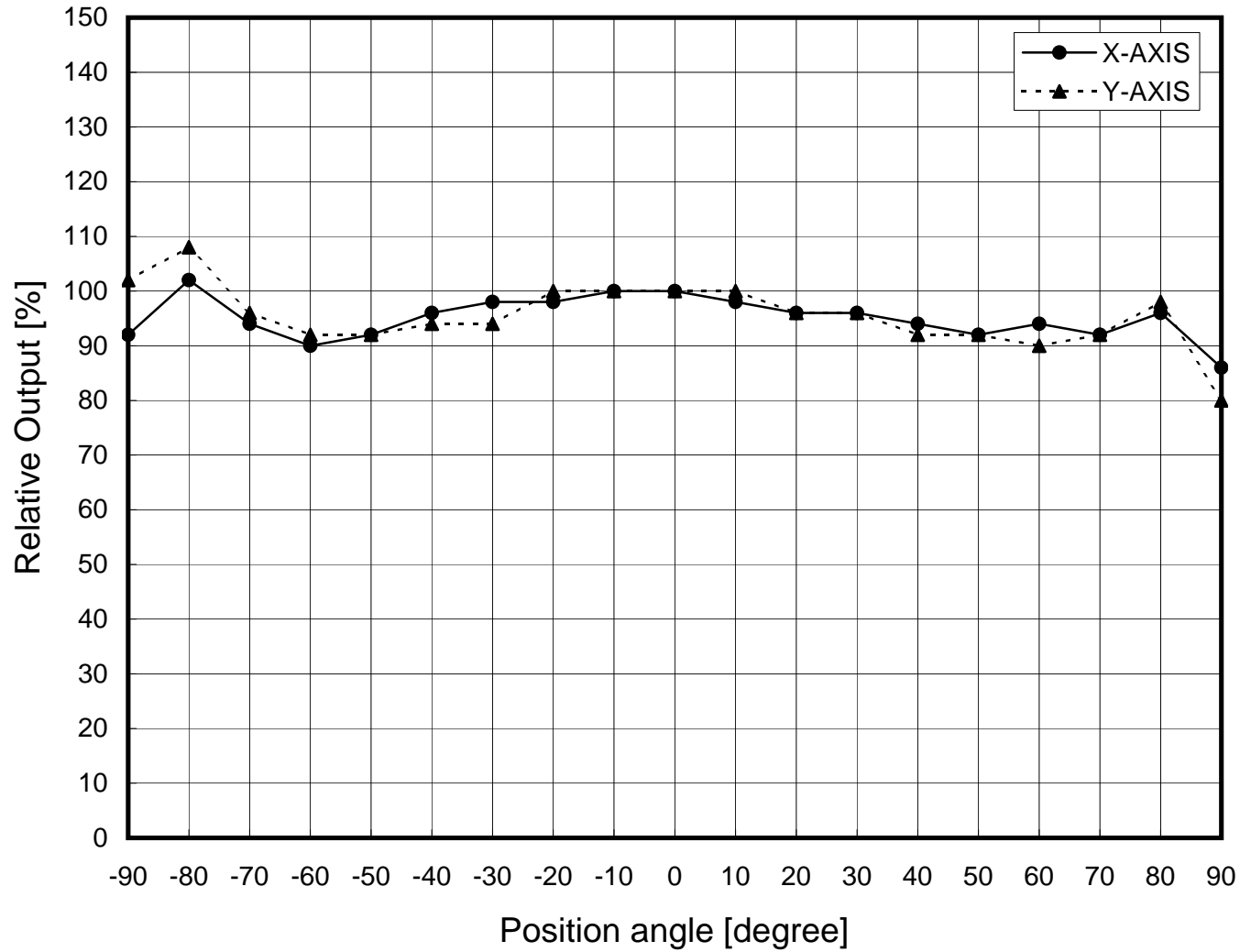
R7081-02 Cathode Uniformity



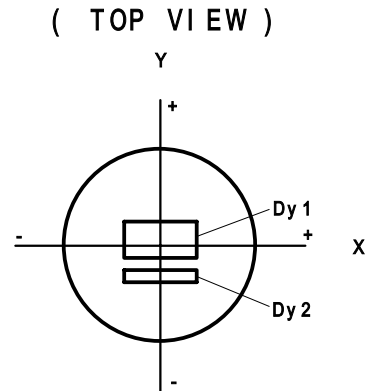
Date : 2005.10.17
Serial No. : TA2026
Spot Dia. : 5 [mm]
Wavelength : 410 [nm]
Supply Voltage : 150 [V]



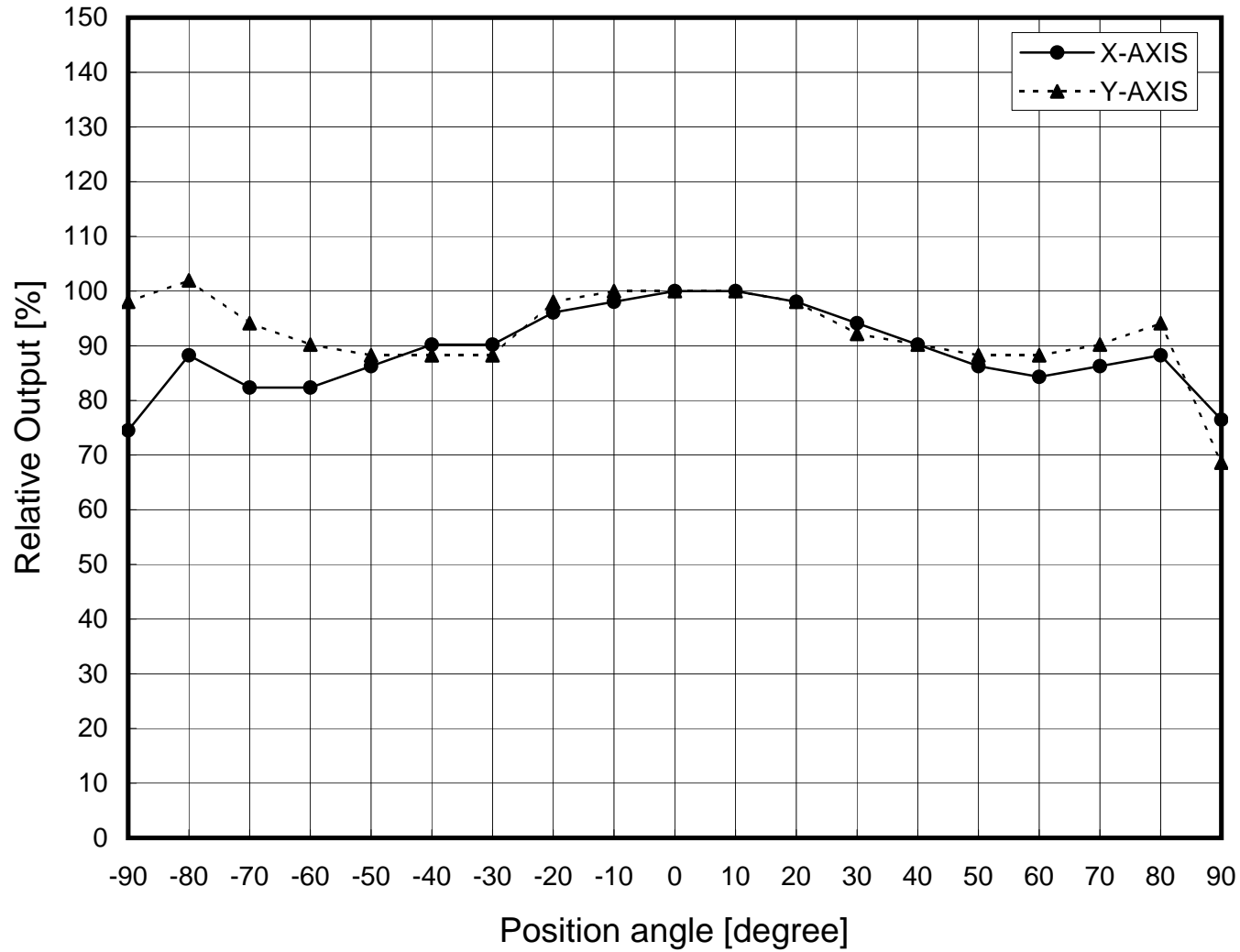
R7081-02 Cathode Uniformity



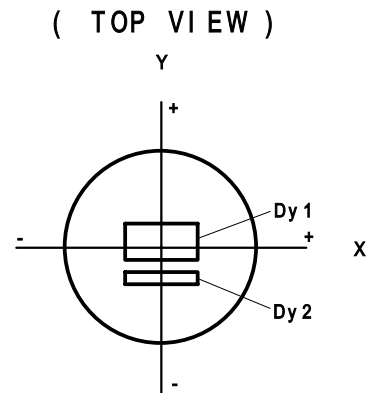
Date : 2005.10.18
Serial No. : TA2086
Spot Dia. : 5 [mm]
Wavelength : 410 [nm]
Supply Voltage : 150 [V]



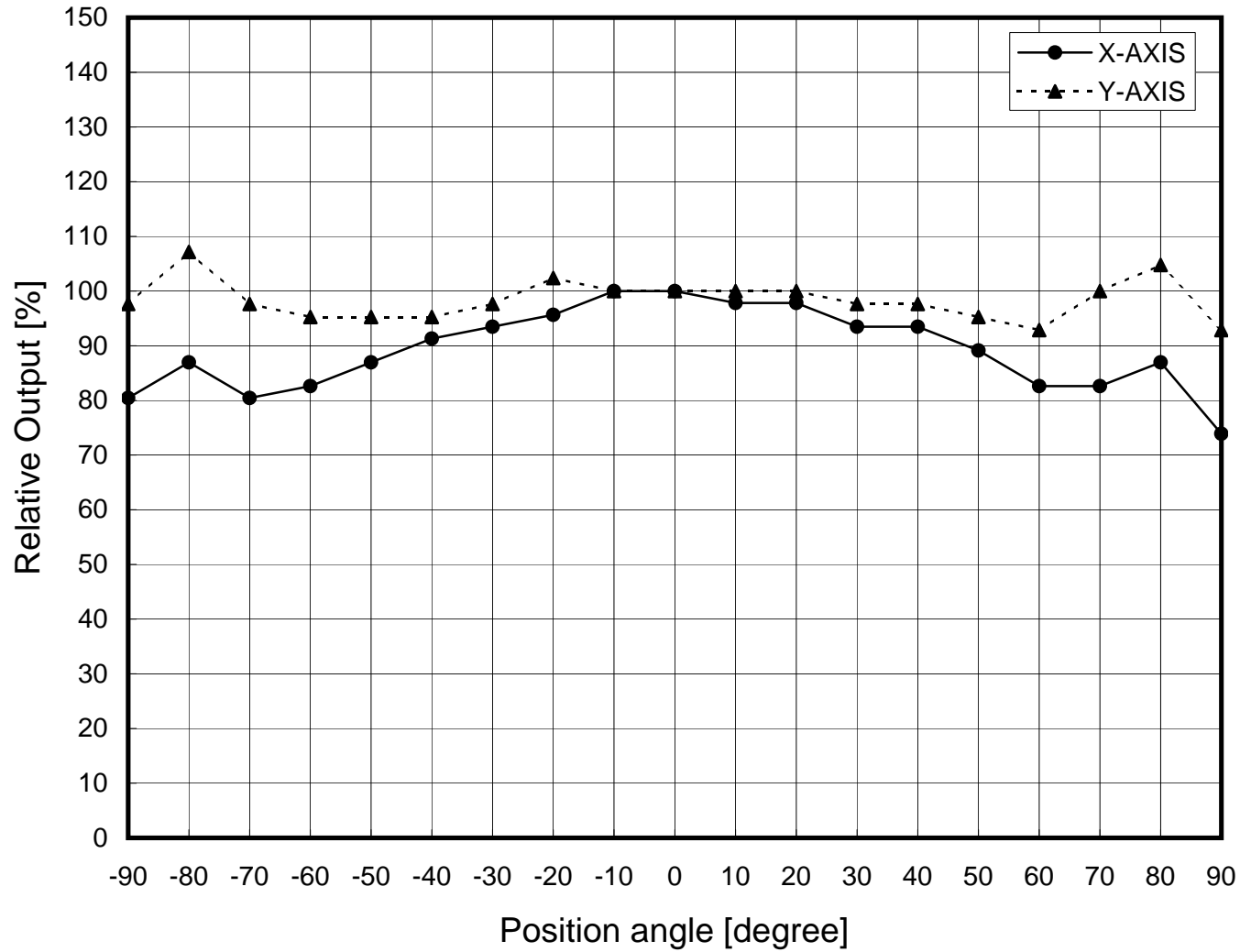
R7081-02 Cathode Uniformity



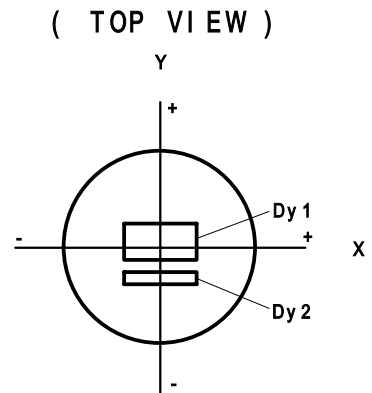
Date : 2005.10.18
 Serial No. : TA2146
 Spot Dia. : 5 [mm]
 Wavelength : 410 [nm]
 Supply Voltage : 150 [V]



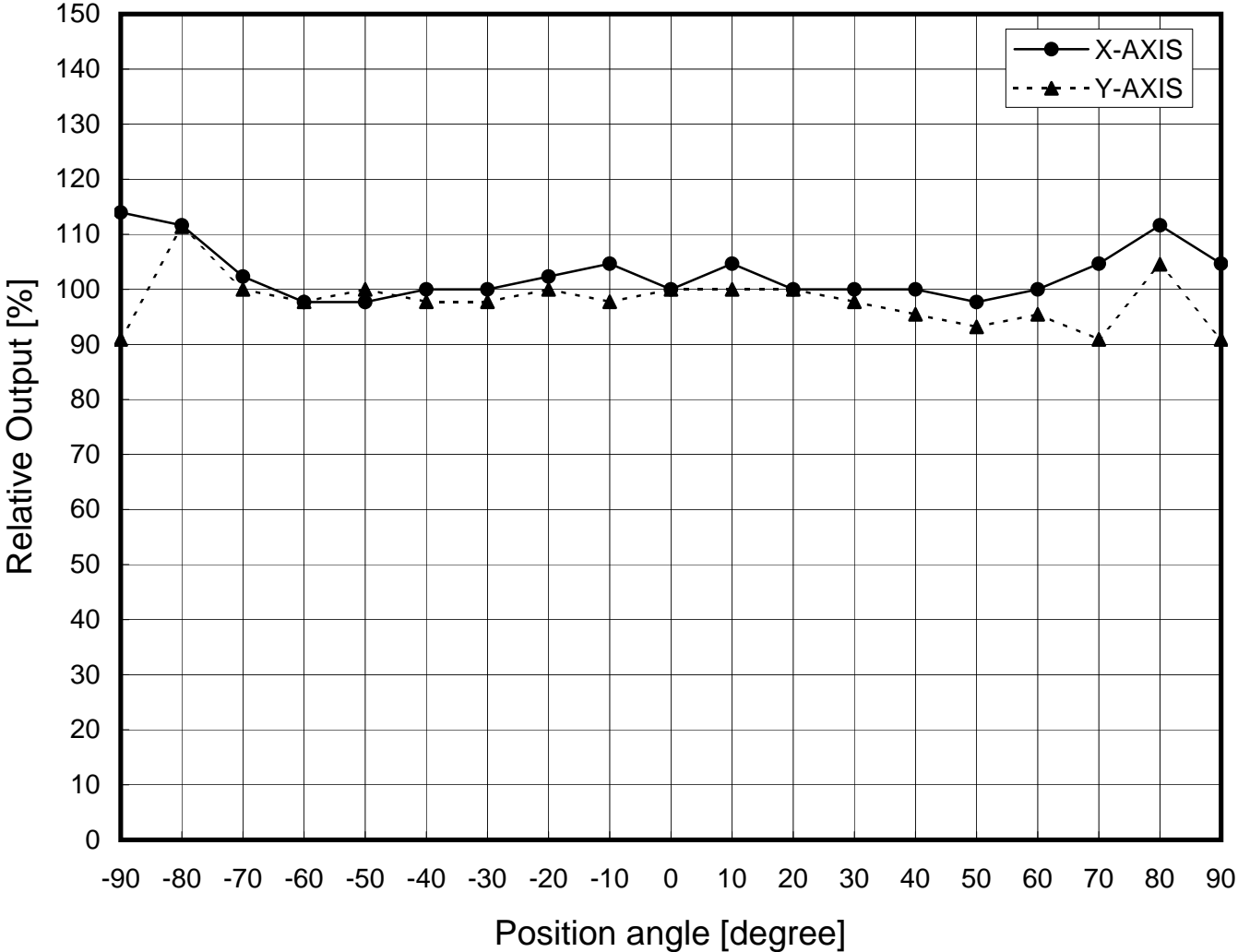
R7081-02 Cathode Uniformity



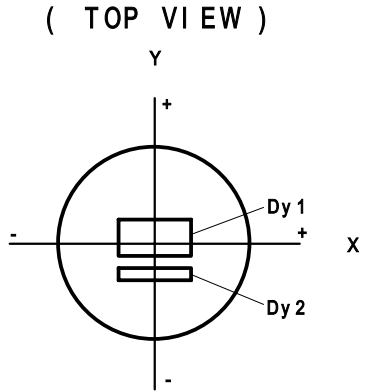
Date : 2005.10.18
Serial No. : TA2182
Spot Dia. : 5 [mm]
Wavelength : 410 [nm]
Supply Voltage : 150 [V]



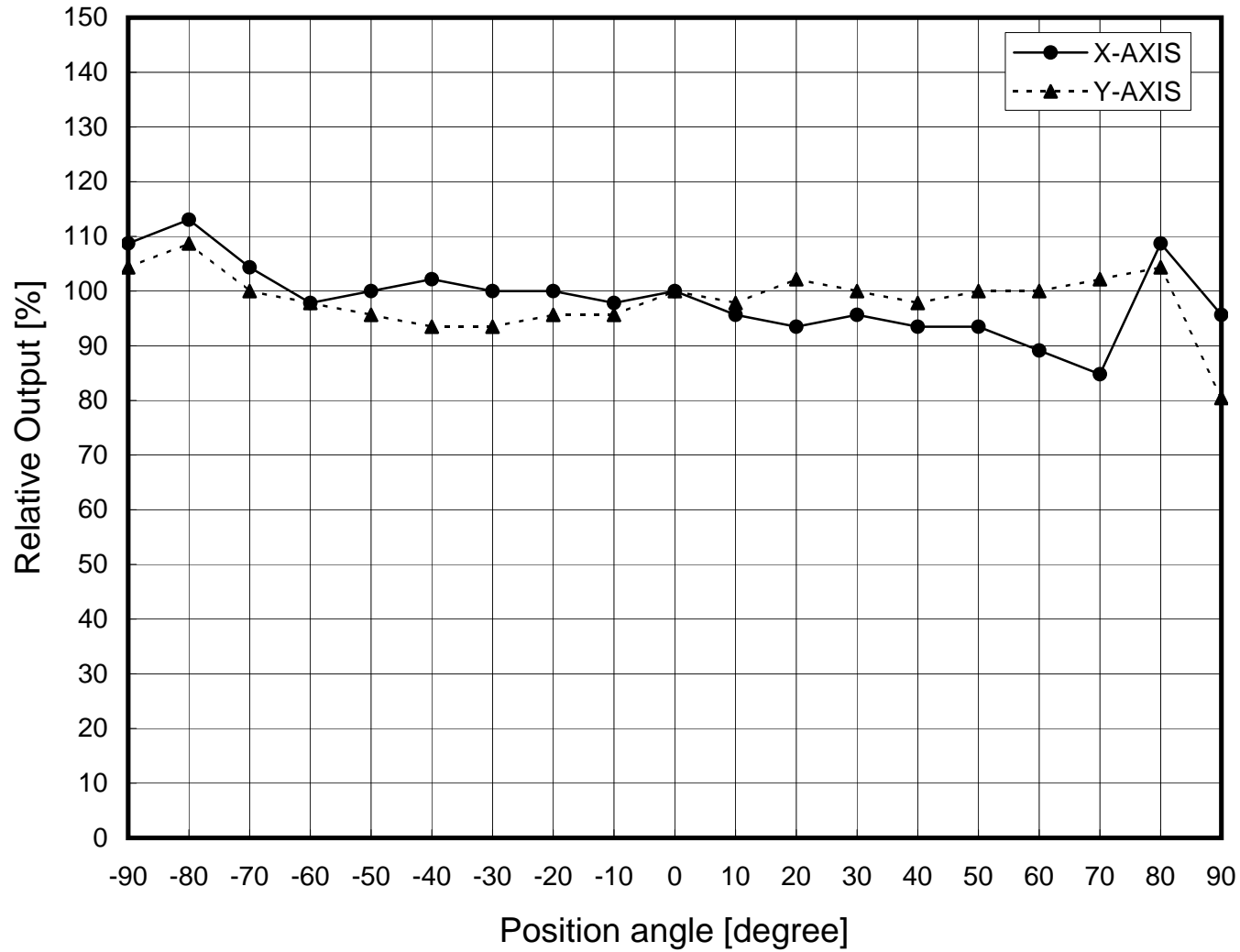
R7081-02 Cathode Uniformity



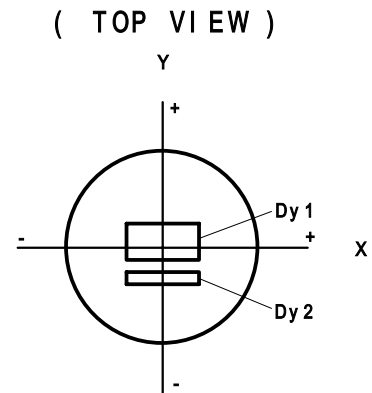
Date : 2005.10.20
 Serial No. : TA2259
 Spot Dia. : 5 [mm]
 Wavelength : 410 [nm]
 Supply Voltage : 150 [V]



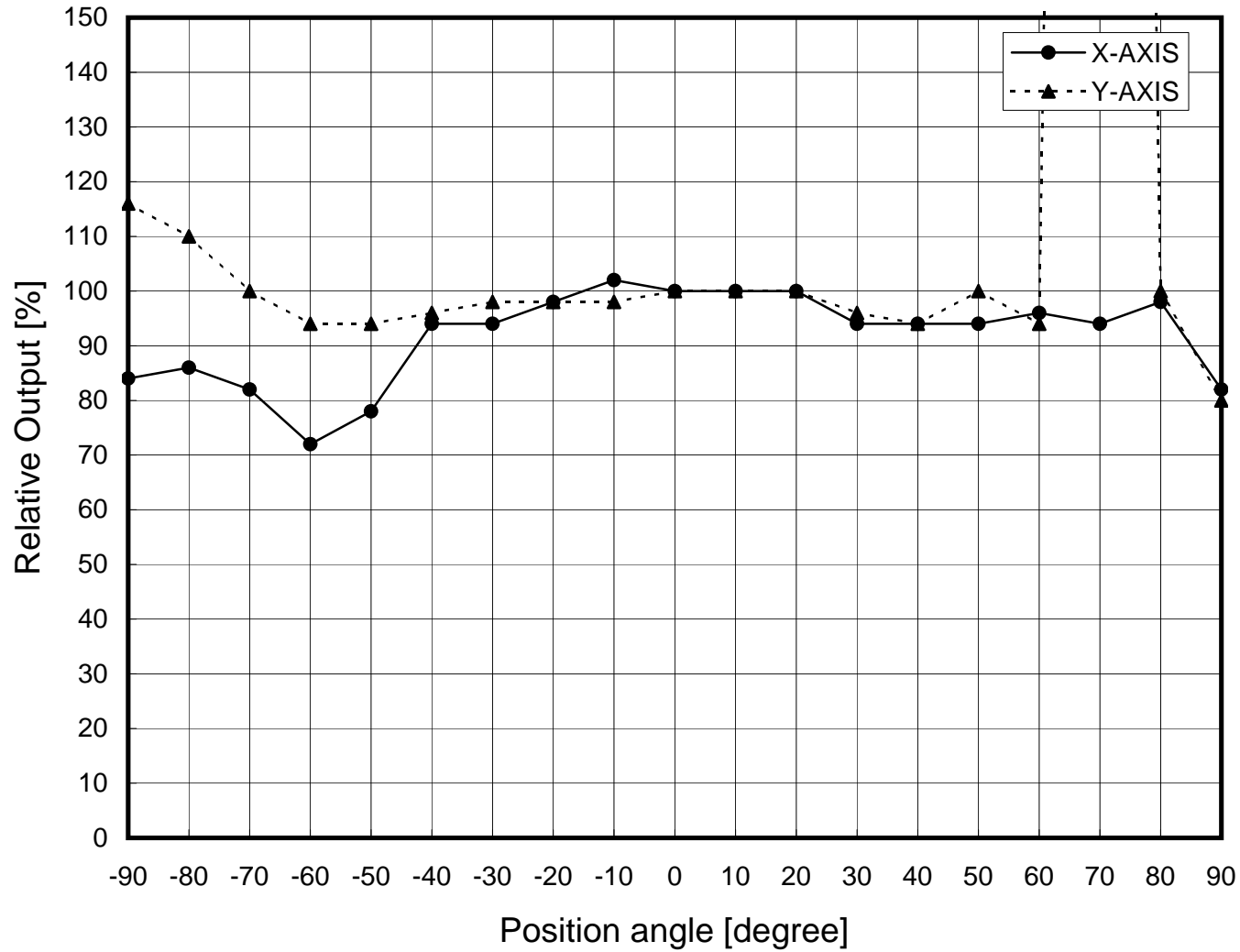
R7081-02 Cathode Uniformity



Date : 2005.10.21
 Serial No. : TA2349
 Spot Dia. : 5 [mm]
 Wavelength : 410 [nm]
 Supply Voltage : 150 [V]



R7081-02 Cathode Uniformity



Date : 2005.10.21
Serial No. : TA2374
Spot Dia. : 5 [mm]
Wavelength : 410 [nm]
Supply Voltage : 150 [V]

